

SPECIFICATIONS OF SC-30

- Accuracy**
Attitude (Heading/Pitch/Roll) 0.5° RMS
GPS 10 m (95%)
WAAS 3 m (95%)
- Follow-up** 45°/s rate-of-turn
- Settling time** 3 min
- Interface**
Number of ports
SC-30: 1 port in CAN bus
IF-NMEASC: 2 ports in IEC 61162-1
(option)
1 port in AD-10
1 port in Analog
Serial data sentence
25, 100, 200 ms, 1, 2 s data rate:
HDT, HDG, HVE, HDM (Heading), ATT (Pitch and Roll)
1, 2 s data rate:
VTG, GGA, ZDA(UTC), RMC
5. Receiver Type Twelve discrete channels, WAAS 1 ch
C/A code, all-in-view
6. Receive Freq L1 (1575.42 MHz)

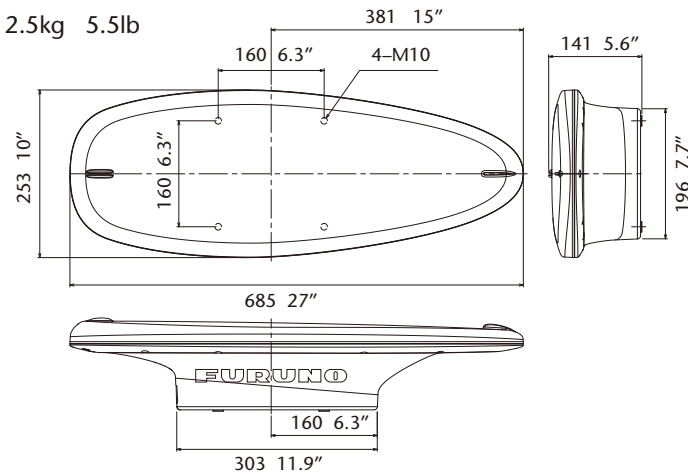
POWER SUPPLY 12-24 VDC
(SC-30: Load Equivalency MAX 10 (= 500 mA))

ENVIRONMENT
Temperature
SC-30: -25°C to +70°C
IF-NMEASC: -15°C to +55°C
Waterproofing
SC-30: IEC60529 IP56
IF-NMEASC: IEC60529 IP20

- EQUIPMENT LIST**
Standard
1. Antenna Unit SC-30 with 6m cable 1 unit
 2. Installation materials
- Option**
1. Interface Unit IF-NMEASC
 2. Cable Assembly MJ-A10 SPF 0015 15 m/30 m
 3. Cable Assembly MJ-A10 SPF 0017 15 m/30 m (Micro C/PWR)
 4. Bird-Repellent Fixture OP20-36

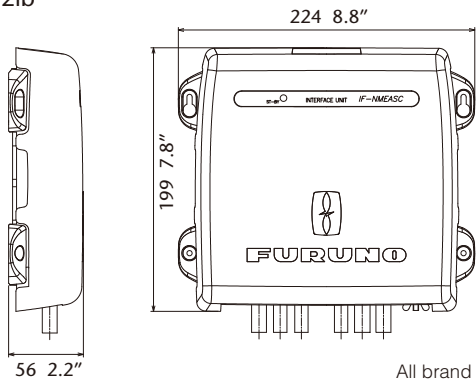
Sensor Unit SC-30

2.5kg 5.5lb

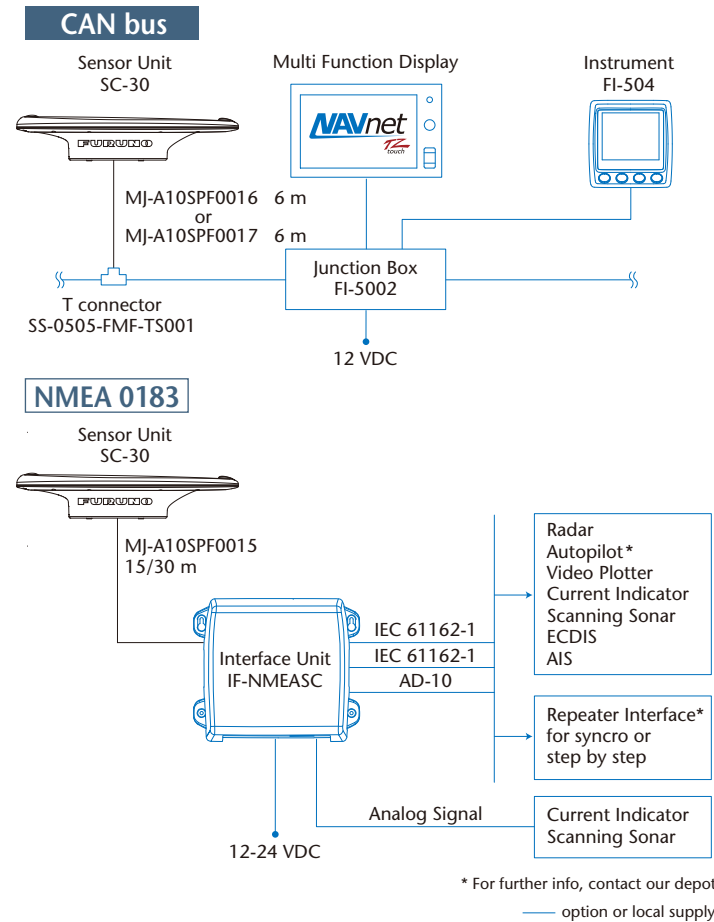


Interface Unit IF-NMEASC (Option)

1.0kg 2.2lb



INTERCONNECTION DIAGRAM



All brand and product names are registered trademarks, trademarks or service marks of their respective holders.
SPECIFICATIONS SUBJECT TO CHANGE WITHOUT NOTICE



FURUNO

SC-30

SATELLITE COMPASS



FURUNO ELECTRIC CO., LTD.
Nishinomiya, Hyogo, Japan
www.furuno.co.jp

FURUNO U.S.A. INC.
Camas, Washington, U.S.A.
www.furunousa.com

FURUNO (UK) LIMITED
Havant, Hampshire, U.K.
www.furuno.co.uk

FURUNO FRANCE S.A.S.
Bordeaux-Mérignac, France
www.furuno.fr

FURUNO ESPAÑA S.A.
Madrid, Spain
www.furuno.es

FURUNO DANMARK AS
Hvidovre, Denmark
www.furuno.dk

FURUNO NORGE A/S
Ålesund, Norway
www.furuno.no

FURUNO SVERIGE AB
Västra Frölunda, Sweden
www.furuno.se

FURUNO FINLAND OY
Espoo, Finland
www.furuno.fi

FURUNO POLSKA Z o.o.
Gdynia, Poland
www.furuno.pl

FURUNO EURUS LLC
St. Petersburg, Russian Federation
www.furuno.com.ru

FURUNO DEUTSCHLAND GmbH
Rellingen, Germany
www.furuno.de

FURUNO HELLAS LTD.
Piraeus, Greece
www.furuno.gr

RICO (PTE) LTD
Singapore
www.rico.com.sg



1210-pdf
Catalogue No. N-869c

www.furuno.com

Revolutionary 2-antenna satellite compass provides highly accurate attitude data to navigation systems.

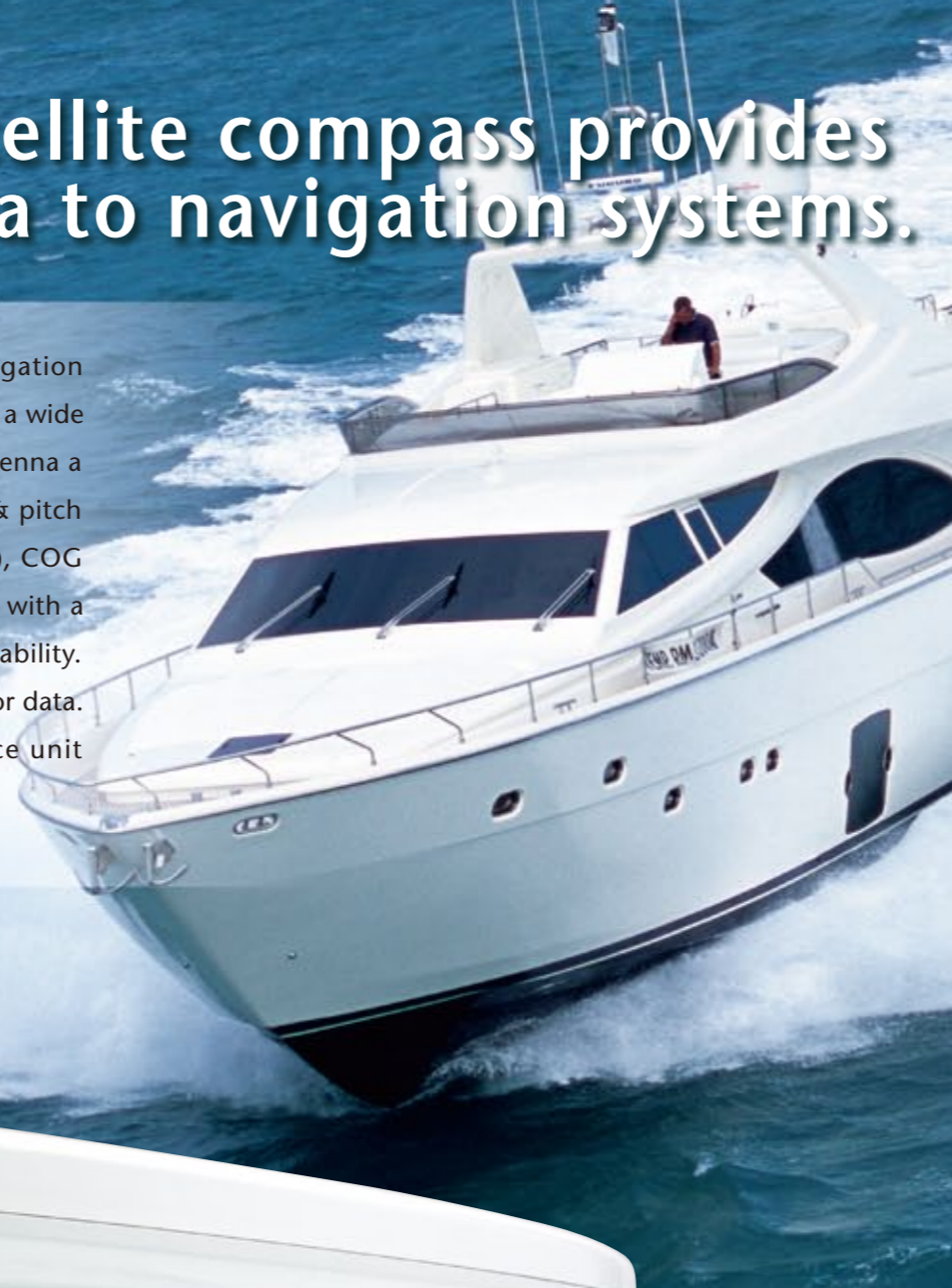
The SC-30 satellite compass provides highly accurate attitude information for navigation equipment such as radar, plotter, autopilot, AIS, fish finder and sonar. It can be used for a wide range of applications on any type of vessel. The SC-30 comes with a compact GPS antenna a built-in processor. This all-in-one system delivers incredibly accurate heading and roll & pitch information as well as heaving information, GPS position, SOG (Speed Over Ground), COG (Course Over Ground) and ROT (Rate Of Turn) data. Employing a two-antenna system with a 3-axis rate gyro and acceleration sensors, the SC-30 enables high-speed response capability. Advanced digital signal processing techniques compute accurate heading based on sensor data. CAN bus interface is standard for simple installation, while the optional interface unit IF-NMEASC is available for conventional NMEA0183, AD-10 and contact closure.



SC-30
SATELLITE COMPASS

- ▶ Stylish design to complement the appearance of recreational boats
- ▶ All-in-one system for simple, space-saving installation
- ▶ Heading accuracy of 0.5° RMS
- ▶ Short start-up time of 3 minutes

- ▶ Excellent follow-up rate of 45°/s exceeds requirements for high speed craft
- ▶ Free from regular maintenance
- ▶ CAN bus interface standard

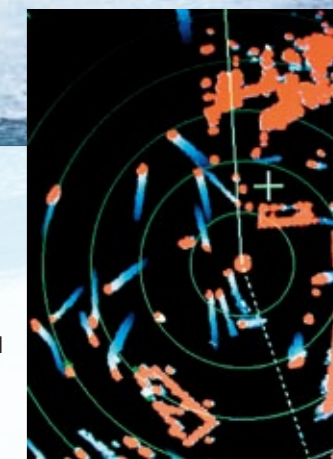


R A D A R

NavNet TZtouch/
NavNet 3D/NavNet vx2/
FR-8002 series/etc

True Motion Echo Trail

True echo trail is available when the SC-30 is connected to FURUNO radar. True echo trails are helpful for determining own ship's movement as well as that of other vessels. Heading accuracy and sensing speed ensures that trails are displayed in smooth lines.



F I S H F I N D E R

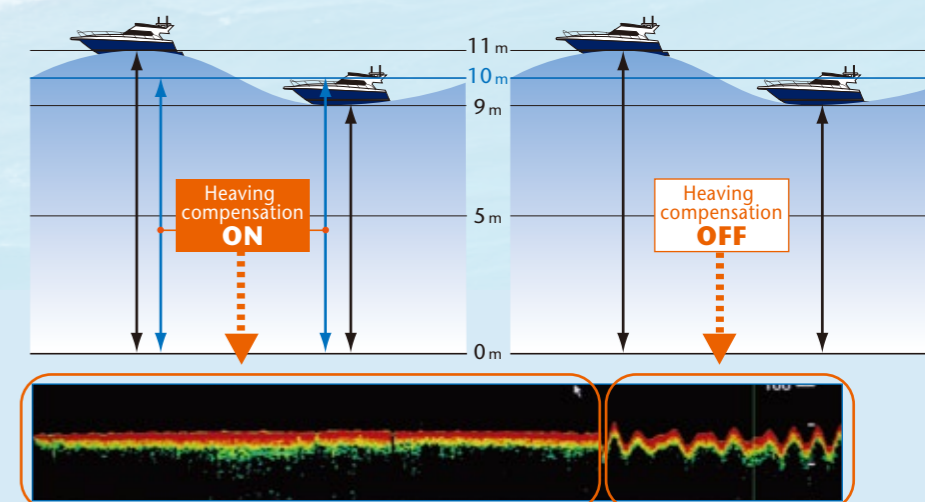
NavNet TZtouch/NavNet 3D/FCV-30/FCV-1200/etc

Heaving Compensation ON

In rough sea conditions, the SC-30 provides compensation data to fish finder systems to present a display free from undulations due to vessels heaving.

Heaving Compensation OFF

The bottom and fish echoes appear to be wavering due to heaving of the vessel even though the seabed is flat.



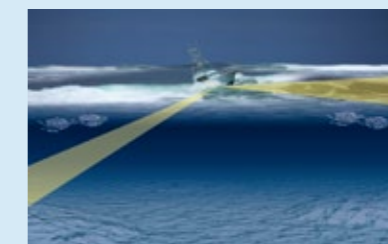
S O N A R

F5V-85/F5V-35/CH-300/CH-270/CH-250/CSH-5L/etc

Pitch And Roll Compensation

The Pitch and Roll compensation data allows FURUNO sonar systems to display an unwavering presentation and facilitates stable detection, even in foul weather conditions.

Beam Stabilizer OFF



Beam Stabilizer ON

